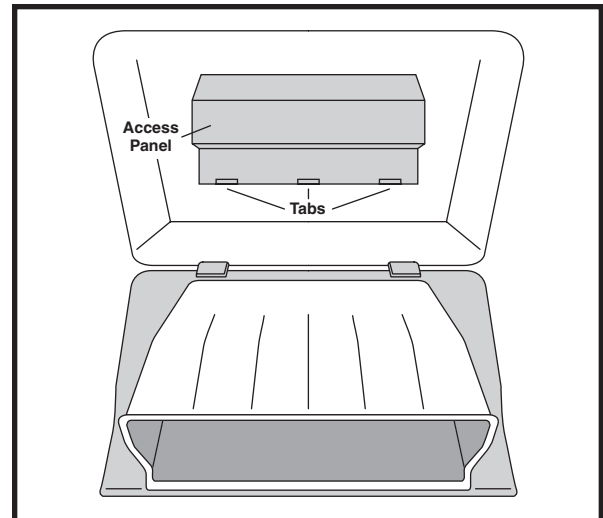


# CABIN AIR FILTER

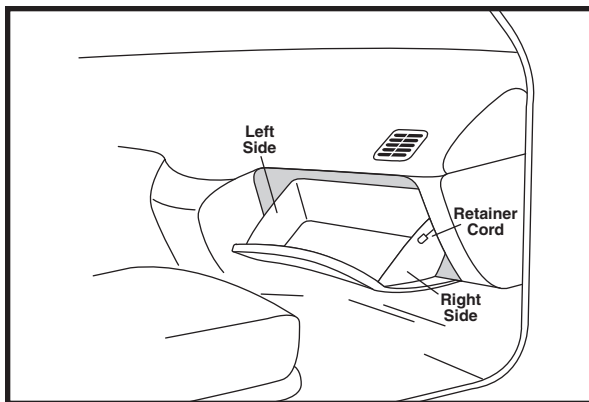
## IDENTIFICATION / INSTALLATION

# IMPORTS

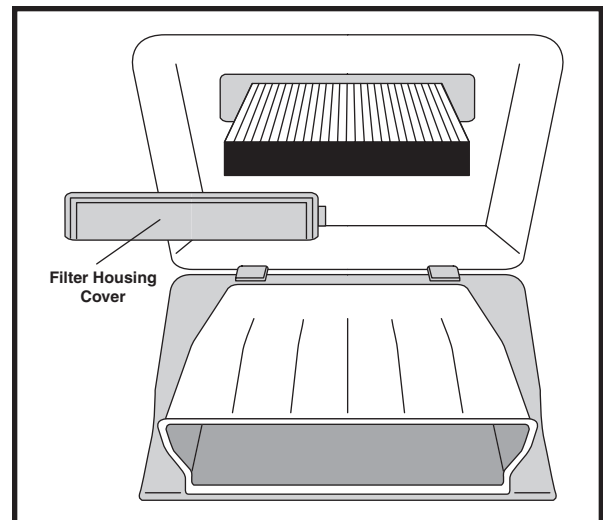
# PA4405



5. Flip down glove compartment.
6. Pull tabs to flip up access panel.



1. Open passenger side door.
2. Open glove compartment.
3. Push in on left and right sides of glove compartment to release glove compartment.
4. Release retainer cord from glove compartment.



7. Remove filter housing cover.
8. Replace filter and reassemble.

**Notice:** The information provided is based on the latest authoritative information available at press time. However, due to manufacturers' changes, and year and model variations, Baldwin Filters cannot be responsible for misapplications and instruction errors.

**BALDWIN FILTERS®** **BALDWIN**  
a CLARCOR company

4400 East Highway 30 ■ P.O. Box 6010  
Kearney, Nebraska 68848-6010  
Phone: (308) 234-1951 ■ Toll Free: (800) 822-5394  
Fax: (800) 828-4453 ■ Int'l Fax: (308) 237-9769  
Internet: [www.baldwinfilter.com](http://www.baldwinfilter.com)